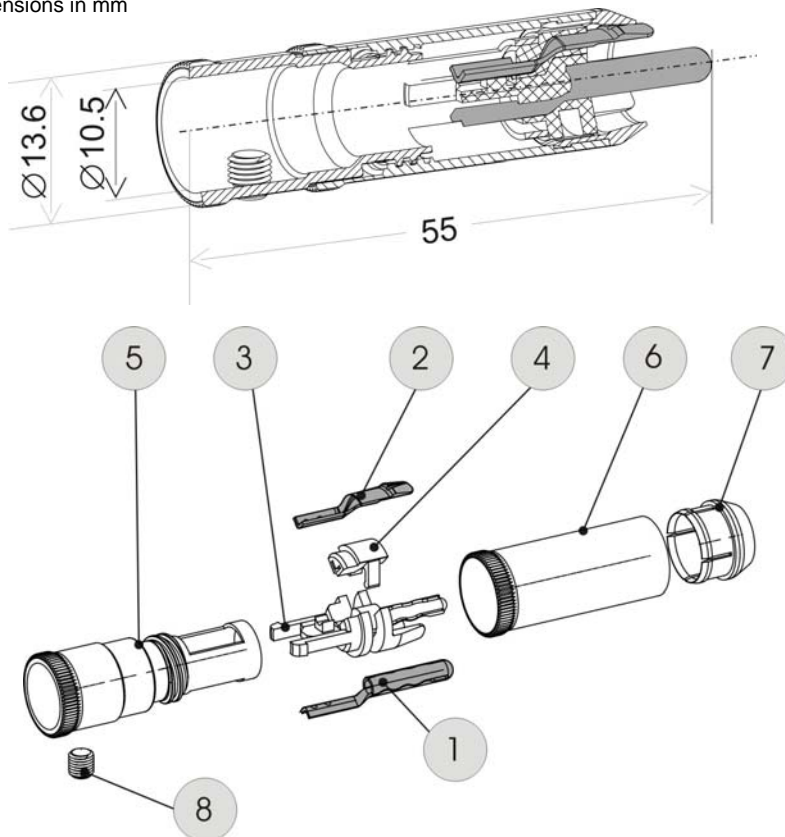


All dimensions in mm



Component list

1	Plus contact fine silver	1
2	Minus contact fine silver	1
3	Dielectric – plus contact Ultramid ¹⁾	1
4	Dielectric – minus contact Vectra S135 ²⁾	1
5	Holding unit copper alloy	1
6	Shaft of clamping barrel copper alloy	1
7	Head of clamping barrel copper alloy	1
8	Torx ³⁾ screw M4x4 copper alloy	1

Extent of delivery 1 – 8 assembled

Revision date 15.12.2009

¹⁾ Ultramid 95 is a registered trademark BASF • ²⁾ Vectra is a registered trademark of Ticona • ³⁾ Torx is a registered trademark of Camcar Textron
WBT and nextgen are registered trademarks of WBT GmbH

WBT - 0152 Topline RCA Plug nextgen™ technology

(Internat. Pat. EP 0 460 145 B1)

RCA wideband plug for analogue and digital connections

1. Mechanics

- Single-element low-tolerance contact elements (Tol. $< \pm 0.02$ mm)
- Central Contact Unit consisting of two moulded contact holders, (1)+(3) and (2)+(4)
- The holding unit (5) grips the central contact unit and also provides the cable strain relief thanks to the grub screw (8) (Torx³⁾ T.6).
Hint: Due to the production process the radial position of the Torx screw hole relative to the contact elements is not specified.
- The brass clamping barrel (6) and (7) is axially screwed over the thread of the holder and provides a permanent tight contact pressure. This way the plug can be adopted perfectly by every type of RCA socket.
- EMC shielding is effectively achieved by the by the clamping barrel (6) and (7) and the holding unit made of brass (5).

2. Materials

- Signal conductors (1) and (2) fine silver
- Dielectric plus contact (3) Ultramid¹⁾, glass-fibre reinforced
- Dielectric minus contact (4) Vectra S135²⁾,
- Holding unit (5) brass
- grub screw (8) brass
- Clamping barrel (6) and (7) brass, chromium plated

3. Surfaces:

- Signal conductors (1) and (2) pure platinum 0.4 μ m
- Clamping barrel, (6), (7) laser engraved, chromium plated, two layer coating
- Holding unit (5), platinumized, without ferromagnetic intermediate layer

4. Operating Characteristics (reliably observed after more than 10³ connections/disconnections)

- Permanent current $I_D > 10$ A
- Transition resistance $R_{it} < 0.1$ mOhm (loop measured with WBT -0110)
- Contact resistance $R_{Bi}, R_{Bs} < 0.45$ mOhm (patch resistance, inner / outer)
- Self capacitance $C \approx 2.82$ pF
- Insulation resistance $R_{ia}, R_{ig} > 1.3 \cdot 10^6$ Ohm (conductor/ conductor, conductor/chassis)
- Characteristic impedance $Z = 75$ Ohm for more than 200 MHz

5 Dimensions

- Outer / inner diameter 13.6 / 10.5mm
- Total length 55 mm

6. Mounting

- Connection soldering
- Cables for cables up to 10.5 mm dia



WBT-0152 Ag
RoHS compliant