

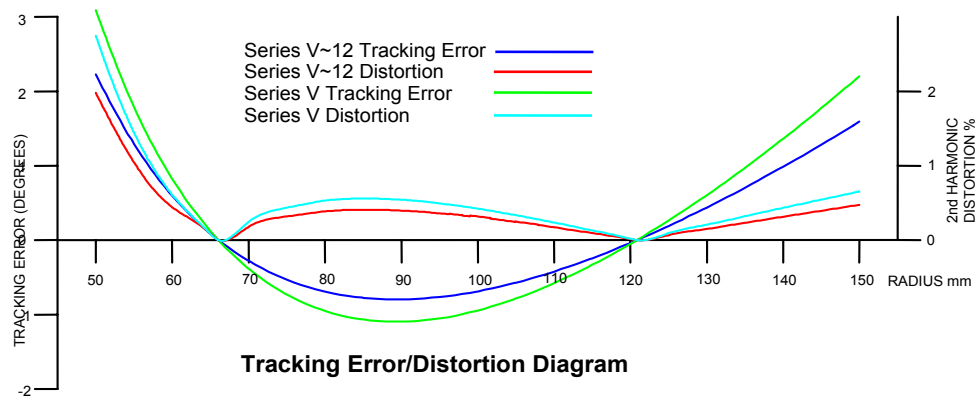
SME

Since 1946

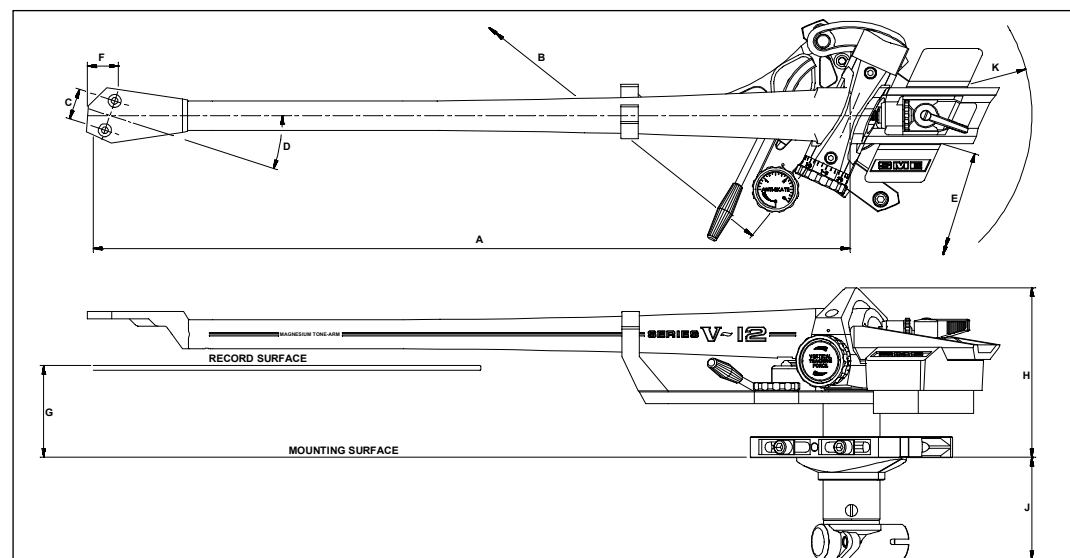


SERIES V-12

SERIES V-12



- ☆ The 12in pressure die-cast tone-arm utilises the advantages of magnesium and exploits the reduction in maximum tracking error/distortion afforded by the greater arm length when compared with 9in models.
- ☆ Internal constrained layer damps minute residual vibration leaving the tone-arm acoustically inert.
- ☆ Fine machined cartridge platform, enamel free to avoid interface resonance.
- ☆ Stainless steel cross shaft, ground and thread ground. Carried in massive yoke on Ø10mm precision ball races. Axes at record mean level to minimise warp-wow.
- ☆ Dynamic balance. Graduated vertical tracking force control applies up to 3.0g x 0.125g VTF through resonance controlled spring.
- ☆ Stainless steel vertical shaft, ground and thread ground, with integral Ø16mm flange to couple shaft and yoke.
- ☆ Ø23mm steel pillar, heat treated, ground and honed, carries two Ø17mm precision ball races, widely spaced to resist tilt.
- ☆ Anti-skate control operates through tension spring and filament. Dial corresponds with VTF and has a positive OFF position.
- ☆ Lowering/raising control gives smooth positive action. Height of lift can be adjusted.
- ☆ Subsonic lateral-mode damper can be instantly adjusted or cancelled
- ☆ Dual-lock base provides movement control with high rigidity.
- ☆ Tungsten-alloy balance carried on two-point suspension. Extra-low inertia design assists warp riding.
- ☆ Underslung weight housing corrects centre of gravity and provides non-reflective tone-arm termination.
- ☆ Swivelling, damped output socket minimises vibration transmission in sub-chassis use.
- ☆ Fine adjustment of horizontal tracking angle (HTA).
- ☆ Reference lines on tone-arm facilitate VTA setting.
- ☆ Fine adjustment of horizontal tracking angle (HTA).
- ☆ Alignment protractor designed to provide HTA setting with greater accuracy.
- ☆ Advanced jig/template system guarantees correct positioning.



DIMENSIONS

A - Distance from pivot to stylus	308.80mm
B - Distance from pivot to turntable centre	295.60mm
C - Cartridge fixing centres	12.70mm
D - Offset Angle	17.62°
E - Linear Offset	93.47mm
F - Overhang	13.20mm
G - Height above mounting surface	max. 87.90mm min. 56.40mm
H - Height of record surface above mounting surface	max. 55.90mm min. 24.40mm
J - Depth below mounting surface	56.75mm
K - Radial clearance for balance weight	73.00mm

SPECIFICATIONS

Effective Mass	12.0g
Cartridge balance range	5.0-32.0g
+ One accessory weight – up to	26.5g
+ Two accessory weight – up to	32.0g
Maximum tracking error	0.009°/mm
Null points: Inner	66.04mm
Outer	120.90mm
Internal wiring: Ultra-flexible Silver litz	
Audio lead: Length	1.2m
Balanced Silver-hybrid cable with gold plated phono plug connections to amplifier and independent grounding system.	
Weight net:	815.0g

SME

Since 1946

The Series V-12 precision pick-up arm is available in the UK from leading audio stockists only. Global distribution is made by appointed agents in the countries concerned. Please contact our Sales Department for further details.