

ESOTERIC

Super Audio CD/CD Player **K-07Xs**



Raising Playback to an Art Form

The K-07Xs captures the essence of the Grandioso K1, with revolutionary innovations throughout the design. The Xs lets nothing get in the way of the music, providing an emotionally involving playback experience. A new chapter has been written in the history book of digital players.



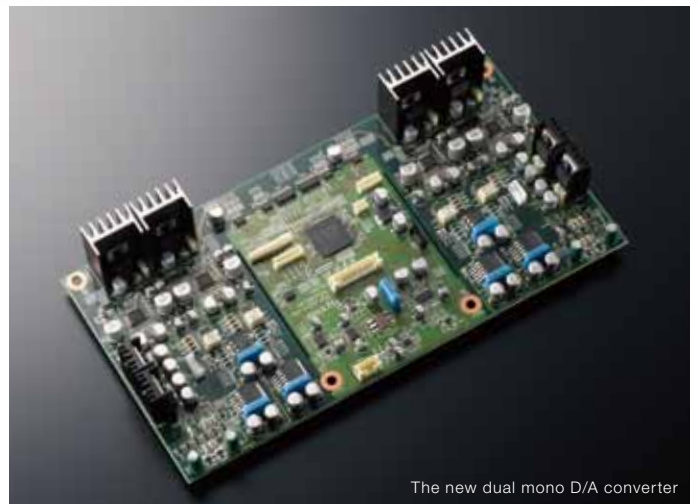
Super Audio CD/CD Player

K-07Xs

The third generation of the K Series Super Audio CD Player, the K-07Xs condenses all of the best technology from the Grandioso K1. It has all of the users' favorite construction features, such as the VOSP Super Audio CD transport mechanism and high-rigidity aluminum chassis, along with a range of new ones such as the latest digital circuitry, a D/A converter based on the latest K1 platform, high current output buffer amplifiers and a high-stability, low-noise power supply.



VOSP Mechanism



The new dual mono D/A converter

VOSP Mechanism

Esoteric's unique VOSP* mechanism employs the same pick-up assembly used in our Grandioso line of high-end SACD players. As the pickup moves, the laser beam maintains a precise perpendicular optical axis orientation relative to the disc surface, ensuring highly accurate data reading. The mechanism is held by a robust steel plate and an 8mm-thick large steel stabilizer for superior anti-resonance properties.

*VOSP = Vertically-Aligned Optical Stability Platform

Following in the Footsteps of the Grandioso K1: The New Dual Mono D/A Converter

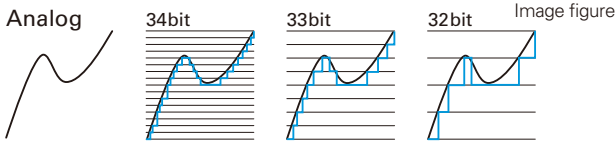
The digital-analog converter section has been fully redesigned based on the latest platform used in the Grandioso K1. An AK4493 32-bit DAC from Asahi Kasei Electronics has been combined with premium components and the latest design technology to provide an exceptional level of sound quality. Four converters are used in each channel in a parallel differential configuration, to provide class-leading linearity and extremely low distortion. Like the K-01Xs and K-03Xs, additional buffer amplifiers are placed immediately after the DAC outputs and this gives a more powerful bass and better reproduction of low-level signals. The layout of the DAC power section has been revised to provide further improvements to the noise performance and stability.

PROUDLY MADE IN TOKYO

ESOTERIC

34-bit D/A Processing for Outstanding Powers of Musical Expression

The K-07Xs combines multiple 32-bit DAC chipsets and utilizes a 34-bit D/A processing algorithm to convert the PCM signal to analog at a high resolution of 34 bits. 34-bit processing achieves an astounding resolution that is fully 1,024 times that of 24-bit processing. In the digital range, full advantage is taken of high-bit data gradation to minimize calculation errors and provide faithful conversion to analog, thereby attaining outstanding powers of expression even with extremely small music signals.



Esoteric-HCLD: A Unique Output Buffer Circuit that Optimizes Current Transmission

For an output stage to faithfully convey the wide dynamic range of a musical performance to the next component in the system, it needs to be able to deliver high currents at high speed. To achieve this, the K-07Xs uses the same Esoteric-HCLD (High Current Line Driver) output buffer as our top-of-the-line-models. This buffer uses high-speed output devices to provide an exceptionally high slew rate of 2,000V/ μ s. Each channel uses two buffer circuits. These are configured differentially for the XLR output and in parallel for the RCA output to provide outstanding linearity and dynamics.

ES-Link Analog: A High Sound Quality Current Transmission Analog Interface

As well as the standard XLR and RCA analog interfaces, Esoteric's proprietary "ES-Link Analog" analog interface is also fitted and this is incorporated into the XLR output circuit. This takes advantage of the high current drive capability of the HCLD buffer circuit, making it less susceptible to the effects of the impedance of the signal path and enabling the audio signal to be transmitted with improved clarity and dynamics. The maximum potential of this system is obtained when it is used with compatible equipment such as Esoteric's F Series integrated amplifiers*. *Optional OP-ESLA1 input board is required.

Generously Rated High-Speed Power Supply



Together with the D/A converter and output buffer amplifier, the quality of the power supply is also a key factor in achieving high sound quality. In the K-07Xs, this has been re-engineered to provide greater stability and lower noise, combining a large EI core power transformer with new capacitors and a set of super EDLC capacitors.* This set has an extremely large capacity of 330,000 μ F, enabling the power supply to provide each section with a clean and stable power source. *EDLC = Electric Double-Layer Capacitor

Wide Range of Upsampling Options

In addition to playing back a digital audio source at the original sample rate, the K-07Xs can upsample PCM signals to 2x, 4x, 8x and 16x (maximum 768kHz). It can also convert a PCM source to DSD 512 (22.5MHz). A DSD filter may be switched in according to preference.

Digital Inputs

Three digital inputs (USB, coaxial, and optical) enable connection to a wide range of systems. Coaxial and optical inputs support DSD 2.8 MHz (DoP) input and PCM of up to 192 kHz/24-bit.

USB Audio Interface with DSD22.5MHz and PCM768kHz/32-Bit Asynchronous Transmission

The K-07Xs is equipped with a USB interface to allow it to receive digital data from a computer or an Esoteric N-03T Network Transport. The USB driver and Esoteric HR Audio Player playback software may be downloaded free from our website. The interface supports DSD rates up to DSD512 (22.5MHz) and PCM data up to 768 kHz / 32 bits. The USB interface also supports the Bulk Pet protocol to allow studio-quality playback.

High-precision VCXO clock and clock synchronization function

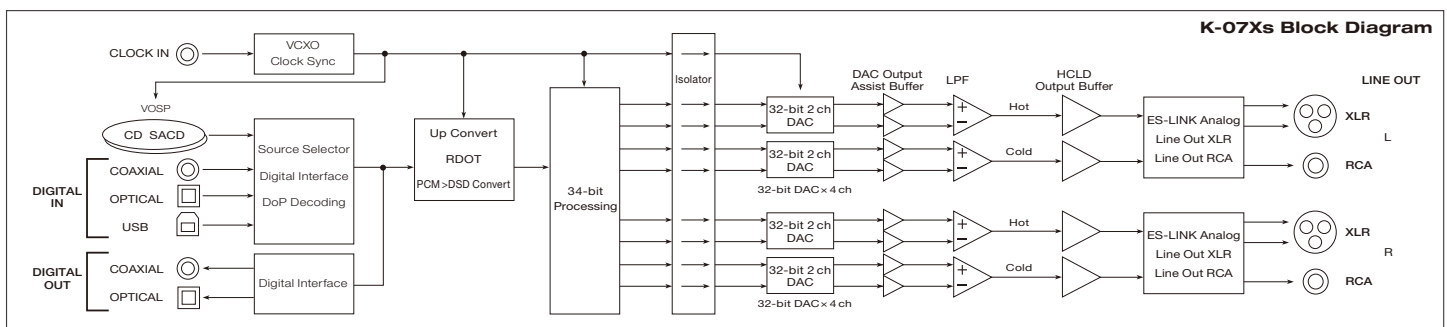
The heart of any digital player is the clock circuit, and the K-07Xs's has been designed for quality with a high-accuracy VCXO(voltage-controlled crystal oscillator). It can also be connected to a high-precision master clock generator such as the G-02X for even higher sound quality.

Output Modes

The analog audio output can be switched between ES-LINK Analog, RCA, and XLR. Hot 2 or Hot 3 XLR pin assignments can also be selected. Loss in audio quality is eliminated with a non-contact system by performing phase inversion in the digital domain.

Chassis Construction

The heavy aluminum chassis is supported by three of Esoteric's unique precision-machined steel insulators to provide maximum vibration suppression. The elegant styling of the chassis is the same as our top-end models and employs round forms and heavy aluminum panels with the minimum use of screws. These features are combined with an attractive organic EL display to form an extremely attractive design worthy of a leading product like the K-07Xs and enhance the pleasure of using and owning this Super Audio CD player.



Specifications

Playable disc types

Super Audio CD, CD (including CD-R and CD-RW)

Analog audio outputs

XLR/ESL-A connector	1 pair (L/R)
RCA connector	1 pair (L/R)
Output impedance	XLR: 40Ω ; RCA : 15Ω
Maximum output level (at 1kHz, 10kΩ load)	XLR: 5.0Vrms RCA: 2.5Vrms
Frequency response*	5Hz to 55kHz (-3dB)
S/N ratio*	119dB(A-Weight)
Distortion*	0.0013% (1kHz)

*Super Audio CD, XLR output

Digital audio outputs

COAXIAL	1
OPTICAL	1

Digital audio inputs

COAXIAL	1
OPTICAL	1
USB-B port (USB 2.0 standard)	1

Clock input

BNC connector	1
Input impedance	50Ω
Frequencies that can be input(±15ppm)	44.1, 48, 88.2, 96, 176.4, 192kHz, 10, 22.5792, 24.576MHz

Input level

Rectangle wave	equivalent to TTL levels
Sine wave	0.5 to 1.0 Vrms

General

Power supply	AC 220-240V,50/60Hz ; AC 120V,60Hz ; AC 220V, 60Hz
Power consumption	26W
External dimensions (W x H x D, including protrusions)	445 x 131 x 357mm (17 5/8" x 5 1/4" x 14 1/8")
Weight	14.2kg (31 3/8 lb)

Included accessories

Power cord set × 1;
Remote control (RC-1301) × 1;
Batteries for remote control (AAA) × 2;
Felt pads × 3;
Owner's manual × 1; Warranty card × 1



Remote control : RC-1301

PROUDLY MADE IN TOKYO

ESOTERIC

ESOTERIC COMPANY

1-47 Ochiai, Tama-shi, Tokyo 206-8530, Japan
Fax: (042) 356-9240
www.esoteric.jp

Please note that Esoteric products are available at limited distributors in respective countries.

*ESOTERIC is a trademark of TEAC Corporation, registered in the U.S. and other countries.

*Grandioso is a trademark of TEAC Corporation.

©2018 TEAC Corporation. All Rights Reserved. All text, images, graphics and other materials on this catalogue are subject to the copyright and other intellectual property rights of TEAC Corporation. These materials shall not directly or indirectly be published, reproduced, modified or distributed in any medium.

*Super Audio CD and "DSD" are registered trademarks. Bulk Pet is a registered trademark of Interface Co., Ltd.

Other company names and product names in this document are the trademarks or registered trademarks of their respective owners.

Design and specifications are subject to change without notice.


International Audio Society of JAPAN

PRINTED IN JAPAN 1018005 • TECD-0274